

INSTALLATION SITE INSPECTIONS

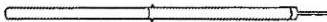
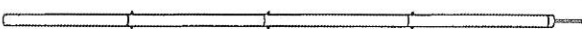

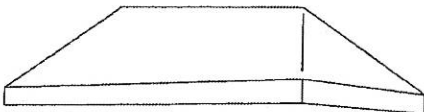

The customer must evaluate each installation site and determine the proper securing and anchoring method and device appropriate for the conditions. Some soils require different staking or securing than what may be purchased with standard tent package. Celina tent Inc, highly recommends the customer engages in thorough training with their tent installers. Celina tent Inc "tent instructions" and "layout Handbook" summarize all the functions of each product, the rules for using them and suggestions for their use. Celina Tent Inc, video instructions illustrate general graphic examples of operating techniques. Following the instruction given under the condition specified or illustrated will provide proven satisfactory results. However, field situation, site conditions, weather and local experience may mandate other methods. Celina's layout hand book and instructional videos can be viewed at www.GetTent.com.

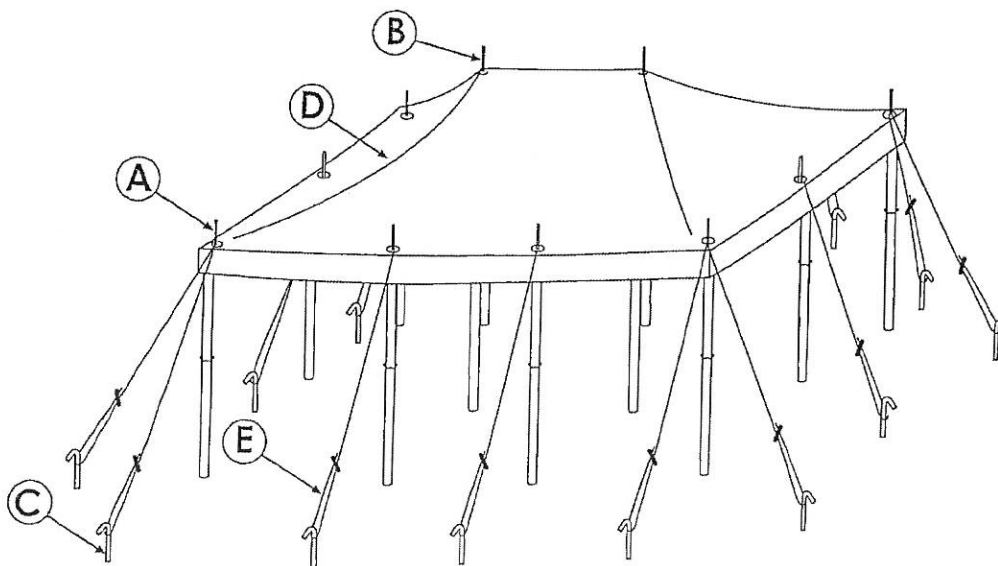
PACKING LIST

Please check to make sure you have all parts required:

PARTS LIST			
KIT / OTC-PKIT-SPS	KIT / OTC-PKIT-4AP	KIT / OTC-PKIT-20CP	Tent Top Box
2- 7' Side poles (2 Piece) 2-24.6" Anchoring Pins 1-Side Pole Bag Total Kit Qty: 5	4-24.6" Anchoring Pins 1-Anchoring Pin Bag Total Kit Qty: 1	1-153" Center Pole (4 Piece) 1- Center Pole Bag Total Kit Qty: 2	1-Tent Top 1-Tent Top Bag

PARTS BREAKDOWN

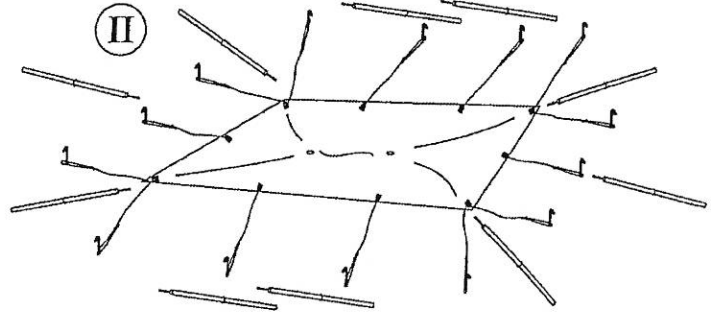
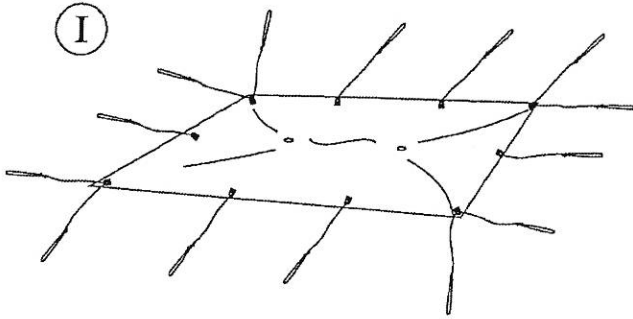
Letter	Description	Qty	Picture
A	7' Side Poles (2 Piece)	10	
B	153" Center Pole (4 Piece)	2	
C	24.6" Anchoring Pins	14	
D	Tent Top	1	
E	Guy Ropes (Attached to tent top)	14	



20' X 30' PRESTO SETUP INSTRUCTIONS

20x30 2 of 3

- 1) Spread the drop cloth where the tent will be erected and remove tent top from the bag.
 - a. Drop Cloth Sold Separately, not included in tent package.
- 2) Unroll and unfold the tent top on the desired spot to be covered. Keep the tent top as square as possible. Pull the perimeter of the tent as tight as possible, the center of the tent top will not be tight or lay flat due to the peak of the tent.
- 3) Stretch the ropes straight out to their full length (Diagram I).

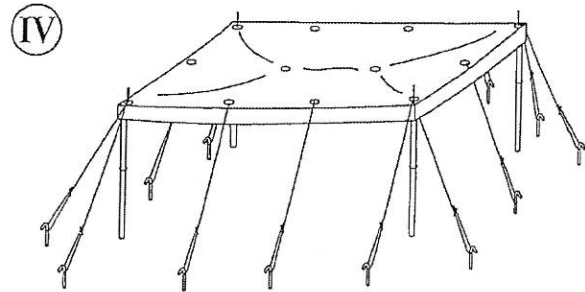
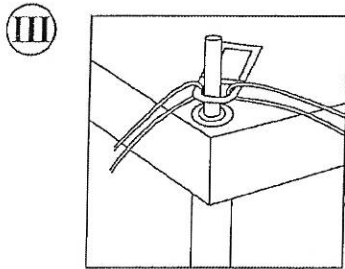


- 4) Layout all of the hardware around the tent (Diagram II):
 - Assemble the 2 piece side poles together
 - 1 pole to each grommet location
 - Place the anchoring pins approximately 3.5' from the grommet locations
 - 2 anchoring pins go to each corner location (place 90° apart)
 - Assemble the 4 piece center poles together

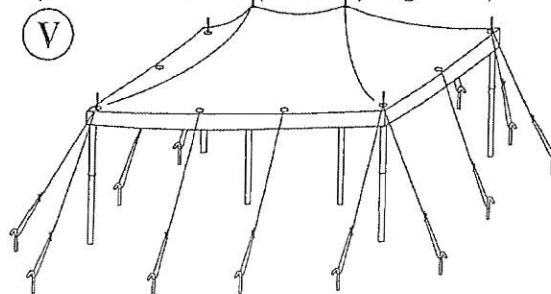
5) Drive all anchoring pins vertically into the ground approximately 3.5' (half the height of the side poles) from the pole locations. Let approximately 6" of the stake exposed (Diagram II).

6) Loop the rope around the hook on the anchoring pin while the tent top is laying on the ground (Diagram II).

7) The corner poles are now ready to be erected. Start at opposite corners and insert the pole pin through the metal double D ring and the brass grommet (very important that the pin goes through both holes, Diagram III). Set the corner poles so they are leaning in towards the tent at about a 60°-75° angle. Insert the remaining corner poles (Diagram IV). When all the poles are up in the air, a good portion of the weight has been lifted, and easier access has been provided to the center of the tent.

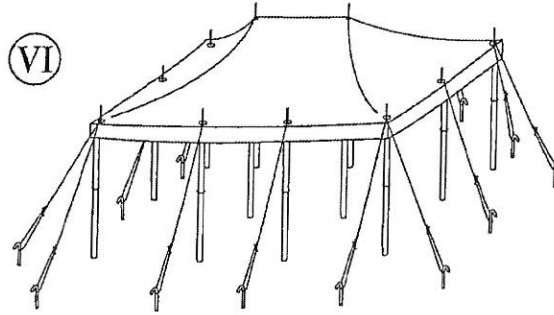


8) Insert the center pole tip through the center "O" ring and brass grommet; make sure that the pin is not caught on any part of the tent top. Push the center pole into a vertical position (Diagram V).



20' X 30' PRESTO SETUP INSTRUCTIONS CONTINUED

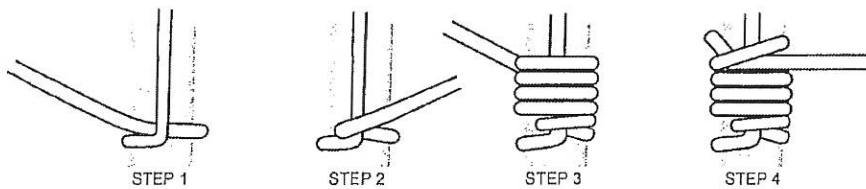
9) Tighten all corner ropes using the wooden rope adjuster until the corner poles are vertically straight up and down. The perimeter of the tent should be taut. If the tent is not taut, make sure all the perimeter poles are in line and check the squareness of your tent by measuring diagonally from corner pole to corner pole and make sure both diagonal measurements are the same. All of the poles should be inserted (Diagram VI).



10) Straighten the center pole so it's setting vertical straight up and down. To do this the corner ropes may need to be loosened.

11) At this point the tent top should be erect, with the corner poles and center pole vertically straight.

12) Tie off the jump rope attached at each center pole location. This rope is necessary to secure the pole to the tent top because wind can create up lift conditions and pull the tent top off of the pole pins, which could cause the tent to collapse or the pin to puncture the tent top. Secure the jump rope by pulling it 5 to 6 feet down the pole, bringing it around the pole and then between the pole and the rope itself. Pull it back taut to create tension on the vertical length. Now wrap the rope around the pole and vertical portion of the jump rope creating a tight coil that keeps the rope from slipping up. On the last coil, pull the end of the rope through to tie it off. (see diagram).



13) The tent top should now be complete! If sidewalls are desired, unroll the sidewalls between the stakes and the side poles around the perimeter of the tent. Starting at a side pole, clip the sidewall snap hooks to the rope line that is attached to the tent top.